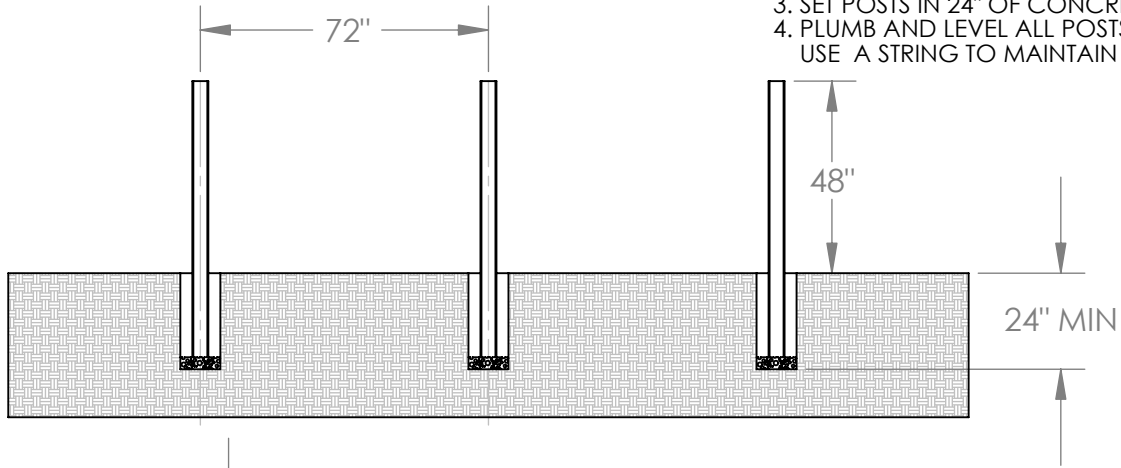


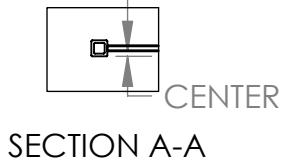
PICTURE FRAME STYLE 4' FENCE INSTRUCTIONS

STEP 1:

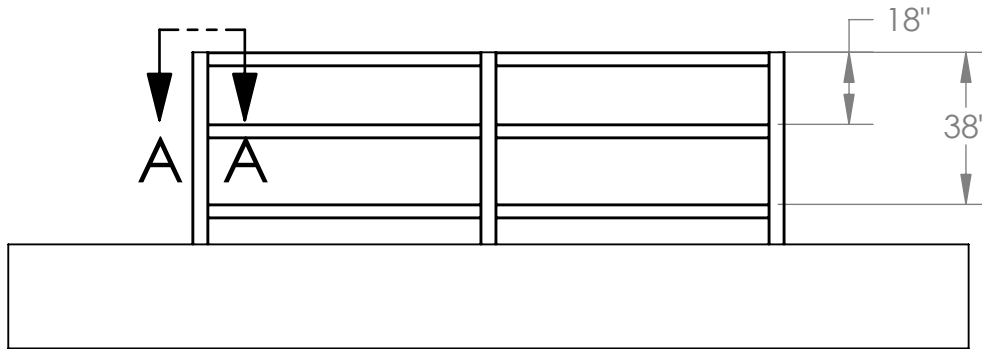


1. DIG 10" DIAMETER HOLES BY 24" DEEP.
2. ADD 2" OF GRAVEL TO BOTTOM OF THE HOLE.
3. SET POSTS IN 24" OF CONCRETE.
4. PLUMB AND LEVEL ALL POSTS MAKING SURE TO USE A STRING TO MAINTAIN ALIGNMENT.

STEP 2:



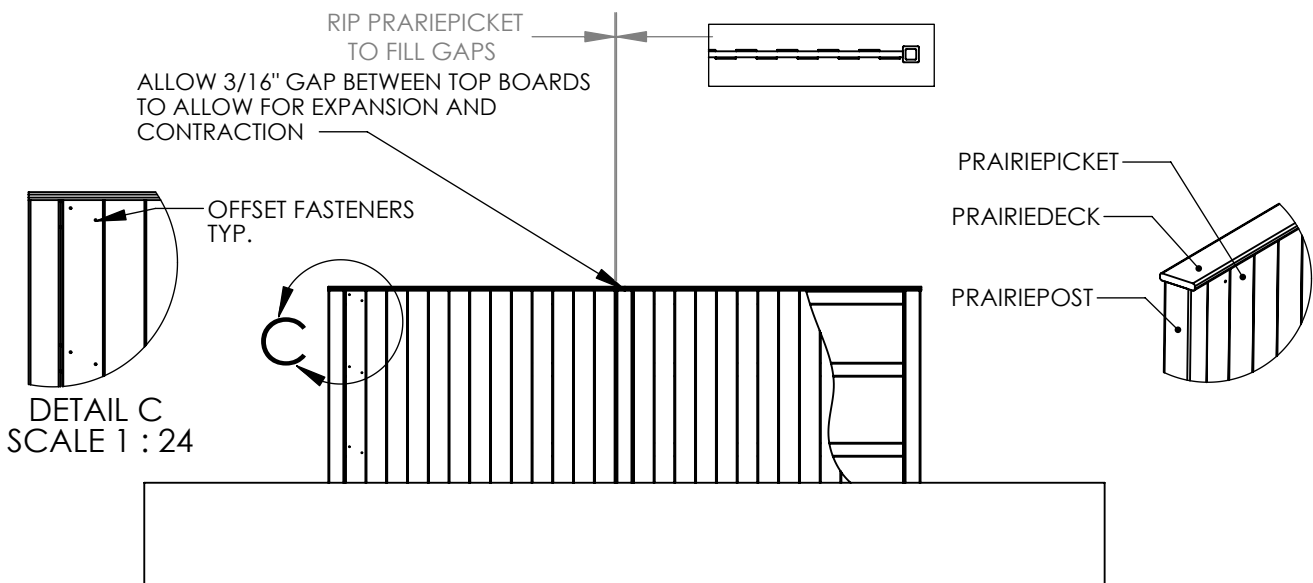
5. ATTACH RAILS TO POSTS USING BRACKETS.
6. USE RECOMMENDED COMPOSITE SCREWS.



STEP 3:

7. ATTACH PICKETS TO RAILS USING RECOMMENDED COMPOSITE SCREWS.

ALTERNATIVE SHADOW BOX DESIGN
RECOMMENDED FOR HIGH WIND LOAD AREAS



ADDITIONAL INFORMATION:

1. INSTALL POSTS 8' ON CENTER IF USING QUALITY WOOD MATERIALS.
2. IF INSTALLING PICKETS ON WOOD RAILS, HEARTLAND RECOMMENDS USING A NAIL GUN WITH DEPTH SET CAPABILITIES.
3. COLOR AND WOOD GRAIN MAY VARY SLIGHTLY AMONG BOARDS.
4. PRAIRIEPICKET MAY DEFLECT SLIGHTLY DEPENDING ON WEATHER CONDITIONS.



HEARTLAND BioCOMPOSITES, LLC
 CHARTING THE PATH TO A SUSTAINABLE FUTURE
 1302 INDUSTRIAL PARK AVE.
 TORRINGTON, WYOMING 82240
 (307) 532-8700
WWW.PRAIRIEFENCE.COM