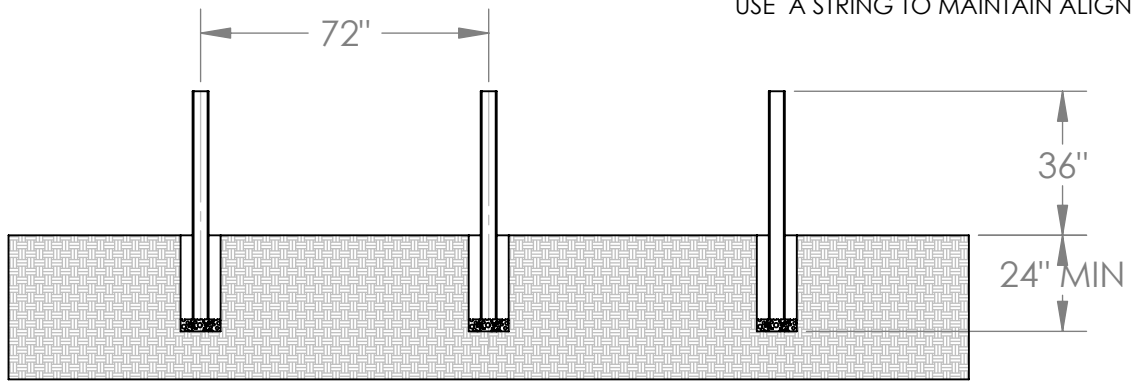


# RANCH RAIL FENCE INSTALLATION INSTRUCTIONS-2 RAIL

STEP 1:

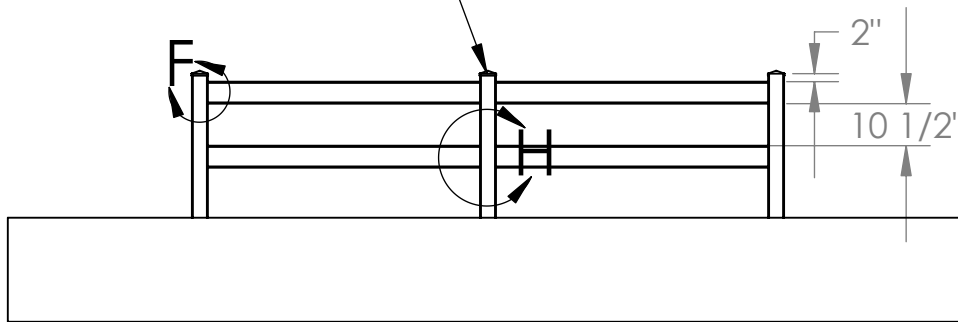
1. DIG 10" DIAMETER HOLES BY 24" DEEP.
2. ADD 2" OF GRAVEL TO BOTTOM OF THE HOLE.
3. SET POSTS IN 24" OF CONCRETE.
4. PLUMB AND LEVEL ALL POSTS MAKING SURE TO USE A STRING TO MAINTAIN ALIGNMENT.

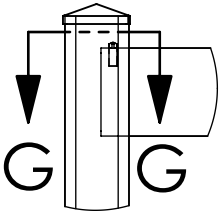


STEP 2:

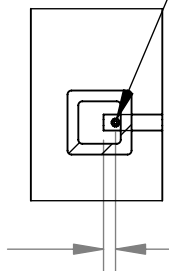
5. INSTALL POST LOCK PER DETAILS SHOWN BELOW.
6. SLIDE RAILS THROUGH PRE-ROUTED SLOTS IN POSTS.
7. LEAVE 1/2" GAP BETWEEN RAIL ENDS FOR EXPANSION.
8. STAGGER JOINTS. SEE DETAIL C.

INSTALL POST CAPS USING CONSTRUCTION ADHESIVE

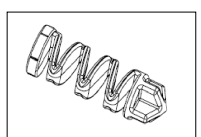




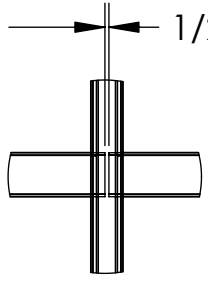
**DETAIL F**  
SCALE 1 : 12



**SECTION G-G**  
SCALE 1 : 12

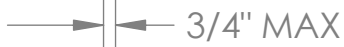


**POST LOCK DETAIL**



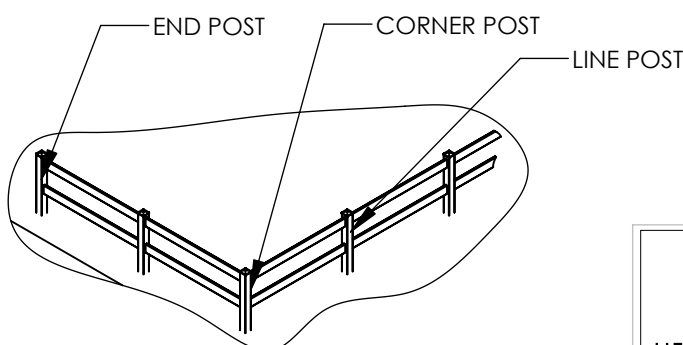
**DETAIL H**  
SCALE 1 : 24

1. DRILL 1/2" DIA HOLE X 1 1/8" DEEP IN END OF RAIL BOARD
2. INSERT POST LOCK INTO HOLE (FLAT SIDE DOWN)
3. COMPRESS LOCK AND SLIDE RAIL INTO PRE-ROUTED HOLE IN POST
4. POST LOCK WILL EXPAND TO KEEP RAIL FROM FALLING OUT



3/4" MAX

**OPTIONAL POST LOCK INSTALLATION**



**HEARTLAND BIOCOMPOSITES, LLC**  
 CHARTING THE PATH TO A SUSTAINABLE FUTURE  
 1302 INDUSTRIAL PARK AVE.  
 TORRINGTON, WYOMING 82240  
 (307) 532-8700  
[WWW.PRAIRIEFENCE.COM](http://WWW.PRAIRIEFENCE.COM)