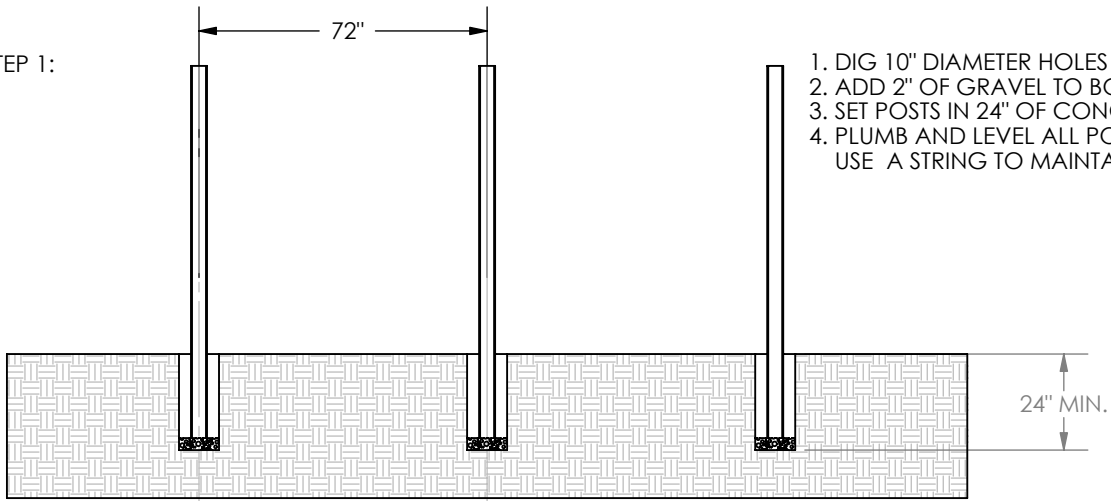


# REGULAR PRIVACY PICKET FENCE INSTRUCTIONS

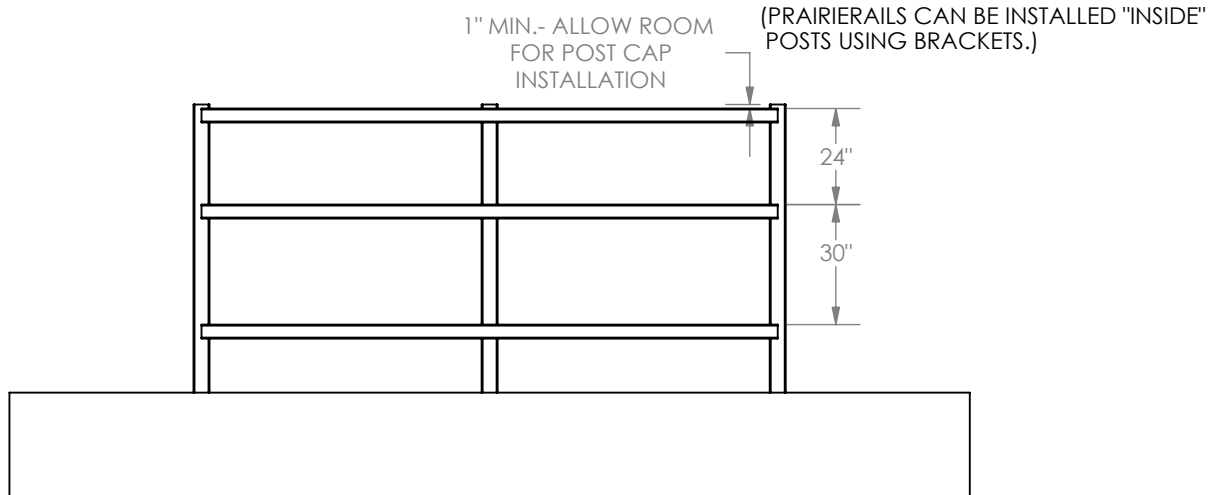
STEP 1:



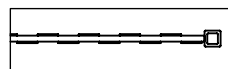
1. DIG 10" DIAMETER HOLES BY 24" DEEP.
2. ADD 2" OF GRAVEL TO BOTTOM OF THE HOLE.
3. SET POSTS IN 24" OF CONCRETE.
4. PLUMB AND LEVEL ALL POSTS MAKING SURE TO USE A STRING TO MAINTAIN ALIGNMENT.

STEP 2:

5. ATTACH RAILS TO POSTS USING THE SPECIFIED SPACING.
6. ADJUST RAIL HEIGHT AS NEEDED TO ACCOMMODATE GRADE VARIATIONS
7. USE RECOMMENDED COMPOSITE SCREWS.



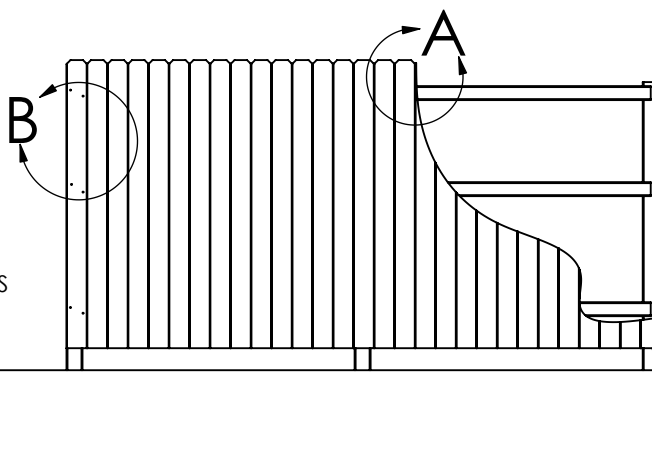
ALTERNATIVE SHADOW BOX DESIGN  
RECOMMENDED FOR HIGH WIND LOAD AREAS



STEP 3:



OFFSET  
FASTENERS  
TYP.



8. ATTACH PICKETS TO RAILS USING RECOMMENDED COMPOSITE SCREWS.



DETAIL A  
SCALE 1 : 24

ADJUST RAIL HEIGHT AS NEEDED TO  
ACCOMMODATE GRADE VARIATIONS

**ADDITIONAL INFORMATION:**

1. INSTALL POSTS 8' ON CENTER IF USING QUALITY WOOD MATERIALS.
2. IF INSTALLING PICKETS ON WOOD RAILS, HEARTLAND RECOMMENDS USING A NAIL GUN WITH DEPTH SET CAPABILITIES.
3. COLOR AND WOOD GRAIN MAY VARY SLIGHTLY AMONG BOARDS.
4. PRAIRIEPICKET MAY DEFLECT SLIGHTLY DEPENDING ON WEATHER CONDITIONS.



**HEARTLAND BioCOMPOSITES, LLC**  
 CHARTING THE PATH TO A SUSTAINABLE FUTURE  
 1302 INDUSTRIAL PARK AVE.  
 TORRINGTON, WYOMING 82240  
 (307) 532-8700  
[WWW.PRAIRIEFENCE.COM](http://WWW.PRAIRIEFENCE.COM)